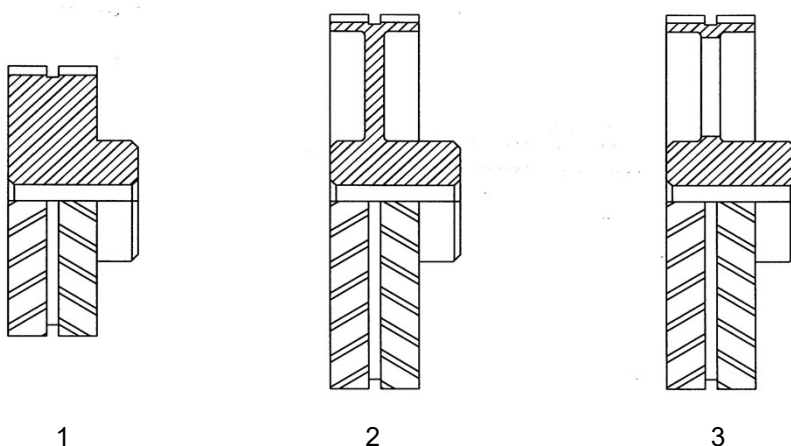


Ozubené řemenice Silent Sync

Yellow

rozteč zubů 8 mm, šíře řemene 16 mm

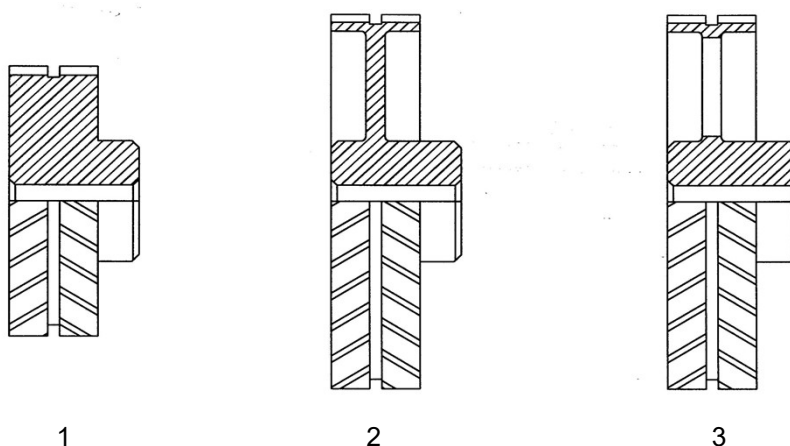


| YELLOW | | | | | | |
|-------------------|------------|--------------------|----------------------|--|-----------------------------|---------------|
| Označení řemenice | Počet zubů | Provedení řemenice | Roztečný průměr (mm) | Průměr předvrtaného otvoru v náboji (mm) | Max.povol.pr. v náboji (mm) | Hmotnost (kg) |
| Y - 18S - MPB | 18 | 1 | 45,84 | 12,7 | 26 | 0,23 |
| Y - 20S - MPB | 20 | 1 | 50,93 | | 27 | 0,30 |
| Y - 22S - MPB | 22 | 1 | 56,02 | | 31 | 0,38 |
| Y - 24S - MPB | 24 | 1 | 61,12 | | 34 | 0,52 |
| Y - 25S - MPB | 25 | 1 | 63,66 | | 36 | 0,57 |
| Y - 26S - MPB | 26 | 1 | 66,21 | | 39 | 0,64 |
| Y - 28S - MPB | 28 | 1 | 71,30 | | 41 | 0,75 |
| Y - 30S - MPB | 30 | 1 | 76,40 | | 45 | 0,88 |
| Y - 32S - MPB | 32 | 1 | 81,49 | | 48 | 1,02 |
| Y - 34S - MPB | 34 | 1 | 86,58 | | 51 | 1,17 |
| Y - 36S - MPB | 36 | 1 | 91,68 | | 55 | 1,32 |
| Y - 38S - MPB | 38 | 1 | 96,77 | | 58 | 1,49 |
| Y - 40S - MPB | 40 | 1 | 101,86 | | 62 | 1,67 |
| Y - 44S - MPB | 44 | 1 | 110,47 | | 66 | 1,88 |
| Y - 45S - MPB | 45 | 1 | 114,59 | | 70 | 2,15 |
| Y - 48S - MPB | 48 | 1 | 122,23 | | 75 | 2,47 |
| Y - 50S - MPB | 50 | 1 | 127,33 | | 79 | 2,70 |
| Y - 52S - MPB | 52 | 1 | 132,42 | | 82 | 3,14 |
| Y - 56S - MPB | 56 | 1 | 142,61 | | 89 | 3,43 |
| Y - 60S - MPB | 60 | 1 | 152,79 | | 96 | 3,97 |
| Y - 63S - MPB | 63 | 2 | 160,43 | 25,4 | 73 | 3,10 |
| Y - 64S - MPB | 64 | 2 | 162,98 | | 74 | 3,22 |
| Y - 68S - MPB | 68 | 2 | 173,17 | | 74 | 3,41 |
| Y - 72S - MPB | 72 | 2 | 183,35 | | 74 | 3,52 |
| Y - 75S - MPB | 75 | 2 | 190,99 | | 73 | 3,63 |
| Y - 76S - MPB | 76 | 2 | 193,54 | | 74 | 3,74 |
| Y - 80S - MPB | 80 | 2 | 203,72 | | 73 | 3,87 |
| Y - 90S - MPB | 90 | 2 | 229,19 | | 73 | 4,31 |
| Y - 112S - MPB | 112 | 2 | 285,21 | | 73 | 4,73 |
| Y - 140S - MPB | 140 | 2 | 356,52 | | 73 | 5,33 |
| Y - 180S - MPB | 180 | 3 | 458,38 | | 100 | 9,02 |
| Y - 224S - MPB | 224 | 3 | 570,43 | | 100 | 10,71 |

Ozubené řemenice Silent Sync

White

rozteč zubů 8 mm, šíře řemene 32 mm

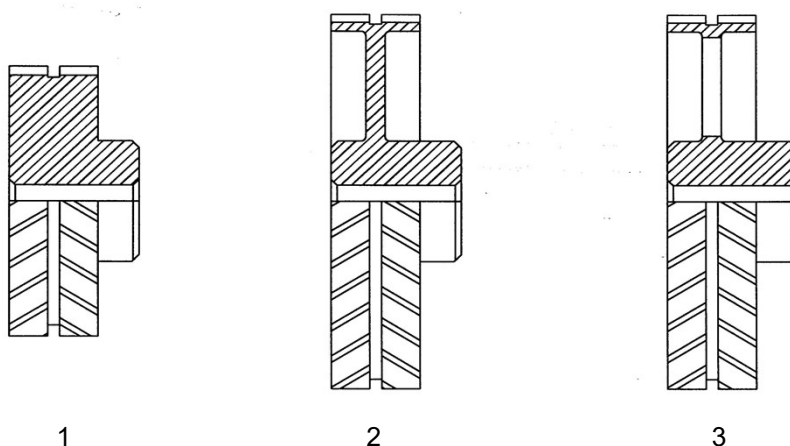


| WHITE | | | | | | |
|-------------------|------------|--------------------|----------------------|--|-----------------------------|---------------|
| Označení řemenice | Počet zubů | Provedení řemenice | Roztečný průměr (mm) | Průměr předvrtaného otvoru v náboji (mm) | Max.povol.pr. v náboji (mm) | Hmotnost (kg) |
| W - 18S - MPB | 18 | 1 | 45,84 | 25,4 | 26 | 0,37 |
| W - 20S - MPB | 20 | 1 | 50,93 | | 27 | 0,48 |
| W - 22S - MPB | 22 | 1 | 56,02 | | 31 | 0,60 |
| W - 24S - MPB | 24 | 1 | 61,12 | | 34 | 0,80 |
| W - 25S - MPB | 25 | 1 | 63,66 | | 36 | 0,88 |
| W - 26S - MPB | 26 | 1 | 66,21 | | 39 | 0,98 |
| W - 28S - MPB | 28 | 1 | 71,30 | | 41 | 1,15 |
| W - 30S - MPB | 30 | 1 | 76,40 | | 45 | 1,34 |
| W - 32S - MPB | 32 | 1 | 81,49 | | 48 | 1,54 |
| W - 34S - MPB | 34 | 1 | 86,58 | | 51 | 1,76 |
| W - 36S - MPB | 36 | 1 | 91,68 | | 55 | 2,00 |
| W - 38S - MPB | 38 | 1 | 96,77 | | 58 | 2,25 |
| W - 40S - MPB | 40 | 1 | 101,86 | | 62 | 2,52 |
| W - 44S - MPB | 44 | 1 | 112,05 | | 68 | 2,98 |
| W - 45S - MPB | 45 | 1 | 114,59 | | 70 | 3,24 |
| W - 48S - MPB | 48 | 1 | 122,23 | | 75 | 3,72 |
| W - 50S - MPB | 50 | 1 | 127,33 | | 79 | 4,06 |
| W - 52S - MPB | 52 | 1 | 132,42 | | 82 | 4,63 |
| W - 56S - MPB | 56 | 1 | 142,61 | | 89 | 5,16 |
| W - 60S - MPB | 60 | 1 | 152,79 | | 96 | 5,97 |
| W - 63S - MPB | 63 | 1 | 160,43 | 101 | 6,61 | |
| W - 64S - MPB | 64 | 1 | 162,98 | 102 | 6,94 | |
| W - 68S - MPB | 68 | 2 | 173,17 | 80 | 4,97 | |
| W - 72S - MPB | 72 | 2 | 183,35 | 12,7 | 80 | 5,47 |
| W - 75S - MPB | 75 | 2 | 190,99 | 25,4 | 80 | 5,91 |
| W - 76S - MPB | 76 | 2 | 193,54 | 12,7 | 80 | 6,12 |
| W - 80S - MPB | 80 | 2 | 203,72 | 25,4 | 80 | 6,25 |
| W - 90S - MPB | 90 | 2 | 229,19 | | 80 | 6,96 |
| W - 112S - MPB | 112 | 2 | 285,21 | | 80 | 7,99 |
| W - 140S - MPB | 140 | 2 | 356,52 | | 100 | 11,50 |
| W - 180S - MPB | 180 | 3 | 458,38 | | 100 | 13,82 |
| W - 224S - MPB | 224 | 3 | 570,43 | 100 | 16,38 | |

Ozubené řemenice Silent Sync

Purple

rozteč zubů 8 mm, šíře řemene 64 mm



| PURPLE | | | | | | |
|-------------------|------------|--------------------|----------------------|--|-----------------------------|---------------|
| Označení řemenice | Počet zubů | Provedení řemenice | Roztečný průměr (mm) | Průměr předvrtaného otvoru v náboji (mm) | Max.povol.pr. v náboji (mm) | Hmotnost (kg) |
| P - 18S - MPB | 18 | 1 | 45,84 | 12,7 | 26 | 0,37 |
| P - 20S - MPB | 20 | 1 | 50,93 | | 27 | 0,98 |
| P - 22S - MPB | 22 | 1 | 56,02 | | 31 | 1,22 |
| P - 24S - MPB | 24 | 1 | 61,12 | | 34 | 1,63 |
| P - 25S - MPB | 25 | 1 | 63,66 | | 36 | 1,81 |
| P - 26S - MPB | 26 | 1 | 66,21 | | 39 | 2,01 |
| P - 28S - MPB | 28 | 1 | 71,30 | | 41 | 2,33 |
| P - 30S - MPB | 30 | 1 | 76,40 | | 45 | 2,74 |
| P - 32S - MPB | 32 | 1 | 81,49 | | 48 | 3,11 |
| P - 34S - MPB | 34 | 1 | 86,58 | | 51 | 3,57 |
| P - 36S - MPB | 36 | 1 | 91,68 | | 55 | 4,02 |
| P - 38S - MPB | 38 | 1 | 96,77 | | 58 | 4,55 |
| P - 40S - MPB | 40 | 1 | 101,86 | | 62 | 5,11 |
| P - 44S - MPB | 44 | 1 | 112,05 | | 68 | 6,01 |
| P - 45S - MPB | 45 | 1 | 114,59 | | 70 | 6,50 |
| P - 48S - MPB | 48 | 1 | 122,23 | | 75 | 7,49 |
| P - 50S - MPB | 50 | 1 | 127,33 | 79 | 8,18 | |
| P - 56S - MPB | 56 | 1 | 142,61 | 89 | 10,40 | |
| P - 60S - MPB | 60 | 1 | 152,79 | 96 | 12,03 | |
| P - 63S - MPB | 63 | 1 | 160,43 | 101 | 6,61 | |
| P - 64S - MPB | 64 | 1 | 162,98 | 102 | 6,94 | |
| P - 68S - MPB | 68 | 1 | 173,17 | 80 | 4,97 | |
| P - 72S - MPB | 72 | 1 | 183,35 | 80 | 5,47 | |
| P - 75S - MPB | 75 | 1 | 190,99 | 80 | 5,91 | |
| P - 76S - MPB | 76 | 1 | 193,54 | 80 | 6,12 | |
| P - 80S - MPB | 80 | 1 | 203,72 | 80 | 6,25 | |
| P - 90S - MPB | 90 | 2 | 229,19 | 80 | 6,96 | |
| P - 112S - MPB | 112 | 2 | 285,21 | 80 | 7,99 | |
| P - 140S - MPB | 140 | 2 | 356,52 | 100 | 11,50 | |
| P - 180S - MPB | 180 | 3 | 458,38 | 100 | 13,82 | |
| P - 224S - MPB | 224 | 3 | 570,43 | 100 | 16,38 | |