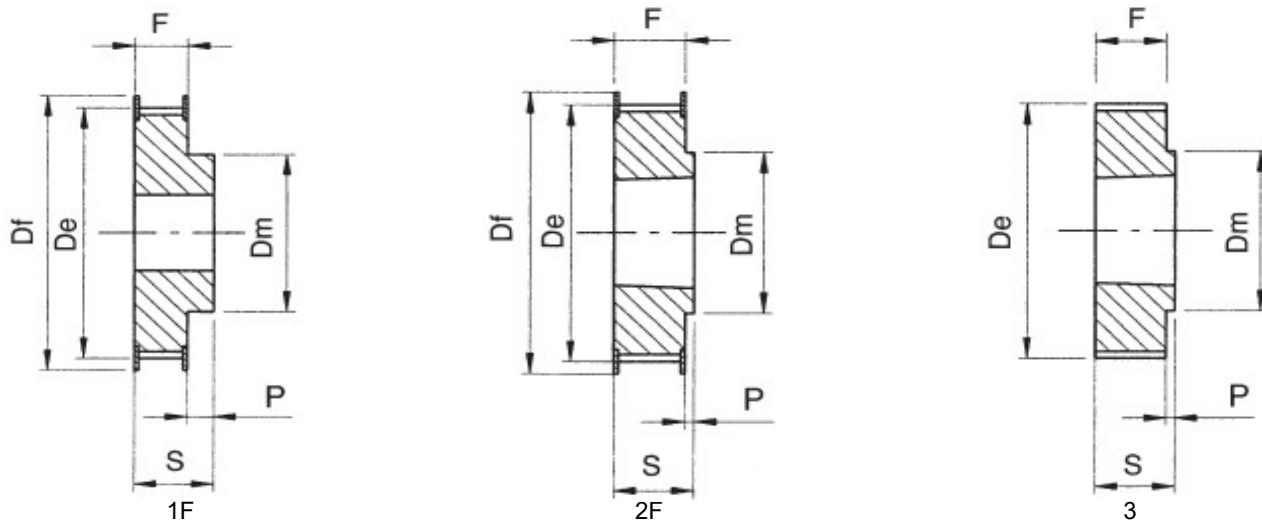


## Ozubené řemenice

### Profil POLY CHAIN® GT® - Taper Lock®

rozteč zubů 8 mm



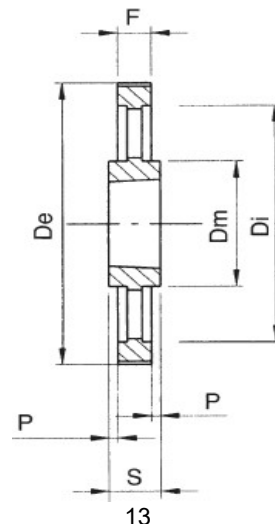
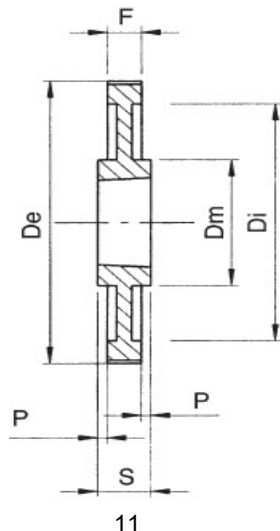
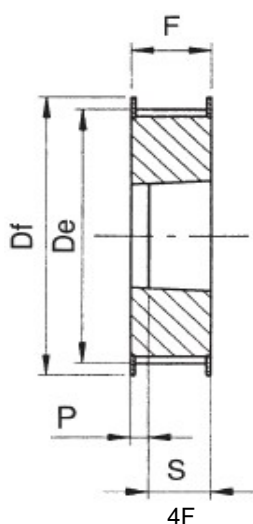
POLY CHAIN GT 8M-12

Označení řemenice	Počet zubů	Typ	Typ pouzdra	Dp (mm)	De (mm)	Df (mm)	Di (mm)	F (mm)	Dm (mm)	S (mm)	Materiál
<b>8M-22S-12</b>	<b>22</b>	1F	-	56,02	54,42	60	-	20	43	30	ocel
<b>TL 8M-25S-12</b>	<b>25</b>	2F	1108	63,66	62,06	70	-	20	49	22	
<b>TL 8M-28S-12</b>	<b>28</b>	2F	1108	71,30	69,70	75	-	20	56	22	
<b>TL 8M-30S-12</b>	<b>30</b>	2F	1210	76,39	74,79	82,5	-	20	60	25	
<b>TL 8M-32S-12</b>	<b>32</b>	2F	1610	81,49	79,89	87	-	20	66	25	
<b>TL 8M-34S-12</b>	<b>34</b>	2F	1610	86,58	84,98	91	-	20	69	25	
<b>TL 8M-36S-12</b>	<b>36</b>	2F	1610	91,67	90,07	97	-	20	76	25	
<b>TL 8M-38S-12</b>	<b>38</b>	2F	1610	96,77	95,17	102	-	20	78	25	
<b>TL 8M-40S-12</b>	<b>40</b>	2F	1610	101,86	100,26	106	-	20	85	25	
<b>TL 8M-45S-12</b>	<b>45</b>	2F	2012	114,59	112,99	120	-	20	92	32	
<b>TL 8M-48S-12</b>	<b>48</b>	2F	2012	122,23	120,63	128	-	20	103	32	
<b>TL 8M-50S-12</b>	<b>50</b>	2F	2012	127,32	125,72	135	-	20	104	32	
<b>TL 8M-56S-12</b>	<b>56</b>	2F	2012	142,60	141,00	150	-	20	104	32	
<b>TL 8M-60S-12</b>	<b>60</b>	2F	2012	152,79	151,19	158	-	20	111	32	
<b>TL 8M-64S-12</b>	<b>64</b>	2F	2012	162,97	161,37	168	-	20	111	32	
<b>TL 8M-75S-12</b>	<b>75</b>	3	2012	190,99	189,39	-	-	20	111	32	
<b>TL 8M-80S-12</b>	<b>80</b>	3	2012	203,72	202,12	-	-	20	111	32	
<b>TL 8M-90S-12</b>	<b>90</b>	3	2012	229,18	227,58	-	-	20	111	32	

## Ozubené řemenice

### Profil POLY CHAIN® GT® - Taper Lock®

rozteč zubů 8 mm



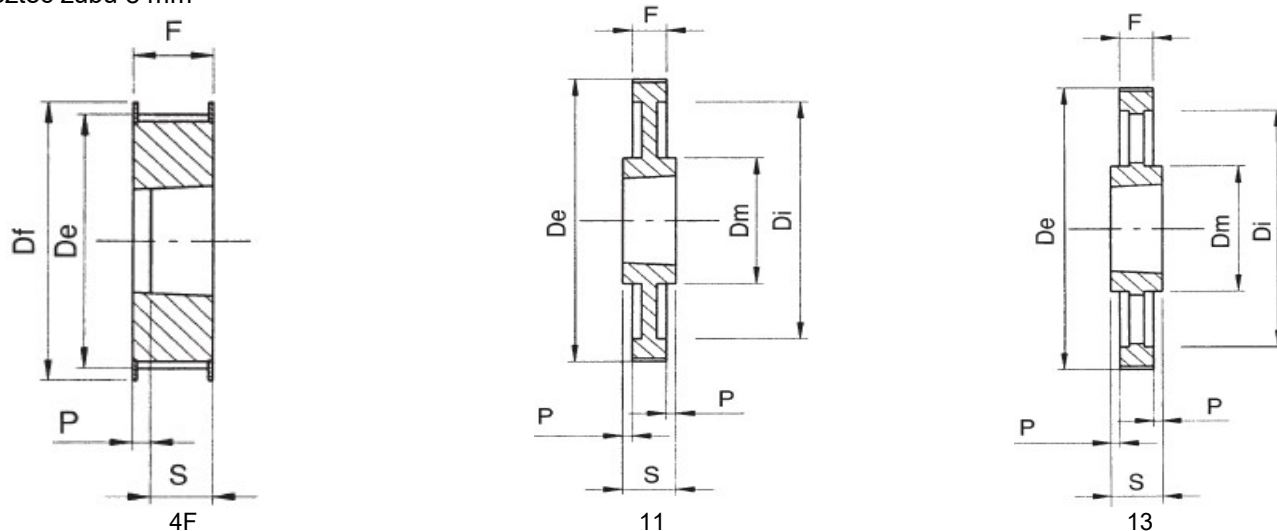
POLY CHAIN GT 8M-21

Označení řemenice	Počet zubů	Typ	Typ pouzdra	Dp (mm)	De (mm)	Df (mm)	Di (mm)	F (mm)	Dm (mm)	S (mm)	Materiál
<b>8M-22S-21</b>	<b>22</b>	1F	-	56,02	54,42	60	-	30	43	42	ocel
<b>TL 8M-25S-21</b>	<b>25</b>	4F	1108	63,66	62,06	70	-	30	-	22	
<b>TL 8M-28S-21</b>	<b>28</b>	4F	1210	71,30	69,70	75	-	30	-	25	
<b>TL 8M-30S-21</b>	<b>30</b>	4F	1210	76,39	74,79	82,5	-	30	-	25	
<b>TL 8M-32S-21</b>	<b>32</b>	4F	1610	81,49	79,89	87	-	30	-	25	
<b>TL 8M-34S-21</b>	<b>34</b>	4F	1610	86,58	84,98	91	-	30	-	25	
<b>TL 8M-36S-21</b>	<b>36</b>	4F	1610	91,67	90,07	97	-	30	-	25	
<b>TL 8M-38S-21</b>	<b>38</b>	4F	1610	96,77	95,17	102	-	30	-	25	
<b>TL 8M-40S-21</b>	<b>40</b>	4F	1610	101,86	100,26	106	-	30	-	25	
<b>TL 8M-45S-21</b>	<b>45</b>	2F	2012	114,59	112,99	120	-	30	92	32	
<b>TL 8M-48S-21</b>	<b>48</b>	2F	2012	122,23	120,63	128	-	30	103	32	
<b>TL 8M-50S-21</b>	<b>50</b>	2F	2012	127,32	125,72	135	-	30	104	32	
<b>TL 8M-56S-21</b>	<b>56</b>	2F	2012	142,60	141,00	150	-	30	104	32	
<b>TL 8M-60S-21</b>	<b>60</b>	2F	2517	152,79	151,19	158	-	30	124	45	
<b>TL 8M-64S-21</b>	<b>64</b>	2F	2517	162,97	161,37	168	-	30	124	45	
<b>TL 8M-75S-21</b>	<b>75</b>	3	2517	190,99	189,39	-	-	30	124	45	
<b>TL 8M-80S-21</b>	<b>80</b>	3	2517	203,72	202,12	-	-	30	124	45	
<b>TL 8M-90S-21</b>	<b>90</b>	11	2517	229,18	227,58	-	198	30	124	45	
<b>TL 8M-112S-21</b>	<b>112</b>	11	2517	285,21	283,61	-	253	30	124	45	litina
<b>TL 8M-140S-21</b>	<b>140</b>	13	3020	356,51	354,91	-	324	30	150	51	

## Ozubené řemenice

### Profil POLY CHAIN® GT® - Taper Lock®

rozteč zubů 8 mm



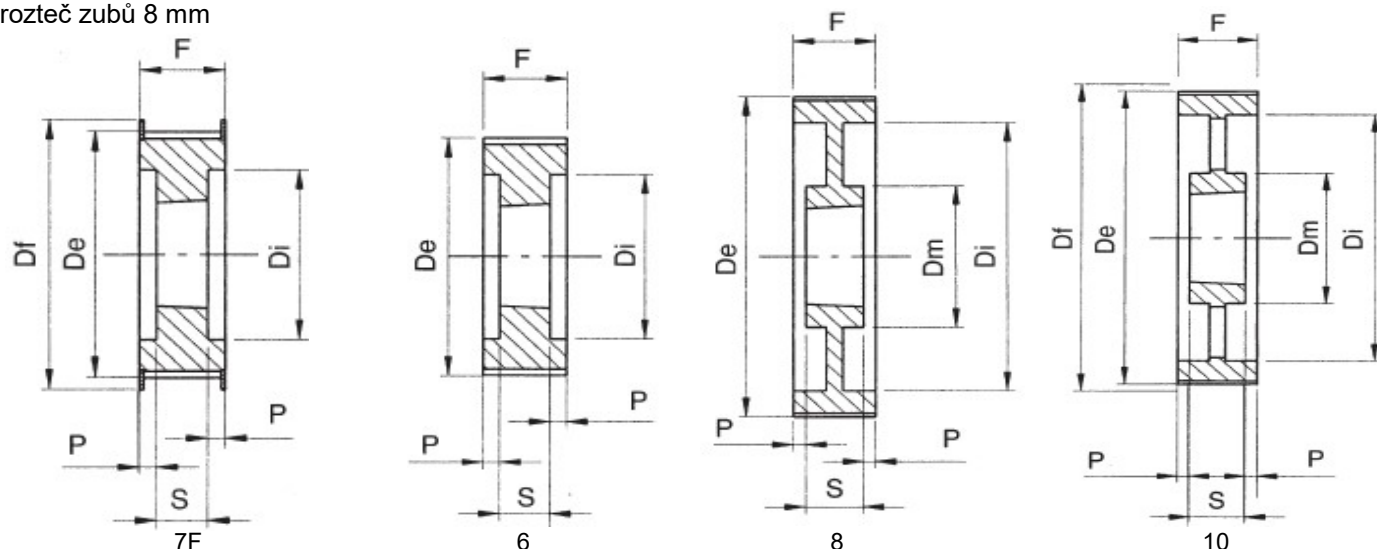
POLY CHAIN GT 8M-36

Označení řemenice	Počet zubů	Typ	Typ pouzdra	Dp (mm)	De (mm)	Df (mm)	Di (mm)	F (mm)	Dm (mm)	S (mm)	Materiál
<b>8M-25S-36</b>	<b>25</b>	1F	-	63,66	62,06	70	-	45	49	55	ocel
<b>TL 8M-28S-36</b>	<b>28</b>	4F	1210	71,30	69,70	75	-	45	-	25	
<b>TL 8M-30S-36</b>	<b>30</b>	4F	1610	76,39	74,79	82,5	-	45	-	25	
<b>TL 8M-32S-36</b>	<b>32</b>	4F	1610	81,49	79,89	87	-	45	-	25	
<b>TL 8M-34S-36</b>	<b>34</b>	4F	1610	86,58	84,98	91	-	45	-	25	
<b>TL 8M-36S-36</b>	<b>36</b>	4F	1610	91,67	90,07	97	-	45	-	25	
<b>TL 8M-38S-36</b>	<b>38</b>	4F	1610	96,77	95,17	102	-	45	-	25	
<b>TL 8M-40S-36</b>	<b>40</b>	4F	2012	101,86	100,26	106	-	45	-	32	
<b>TL 8M-45S-36</b>	<b>45</b>	4F	2012	114,59	112,99	120	-	45	-	32	
<b>TL 8M-48S-36</b>	<b>48</b>	4F	2012	122,23	120,63	128	-	45	-	32	
<b>TL 8M-50S-36</b>	<b>50</b>	4F	2012	127,32	125,72	135	-	45	-	32	
<b>TL 8M-56S-36</b>	<b>56</b>	4F	2517	142,60	141,00	150	-	45	-	45	
<b>TL 8M-60S-36</b>	<b>60</b>	4F	2517	152,79	151,19	158	-	45	-	45	
<b>TL 8M-64S-36</b>	<b>64</b>	4F	2517	162,97	161,37	168	-	45	-	45	
<b>TL 8M-75S-36</b>	<b>75</b>	3	3020	190,99	189,39	-	-	45	150	51	
<b>TL 8M-80S-36</b>	<b>80</b>	3	3020	203,72	202,12	-	-	45	150	51	
<b>TL 8M-90S-36</b>	<b>90</b>	11	3020	229,18	227,58	-	197	45	150	51	
<b>TL 8M-112S-36</b>	<b>112</b>	11	3020	285,21	283,61	-	253	45	150	51	litina
<b>TL 8M-140S-36</b>	<b>140</b>	13	3020	356,51	354,91	-	324	45	150	51	
<b>TL 8M-168S-36</b>	<b>168</b>	13	3525	427,81	426,21	-	396	45	198	65	
<b>TL 8M-192S-36</b>	<b>192</b>	13	3525	488,92	487,32	-	457	45	198	65	

## Ozubené řemenice

### Profil POLY CHAIN® GT® - Taper Lock®

rozteč zubů 8 mm



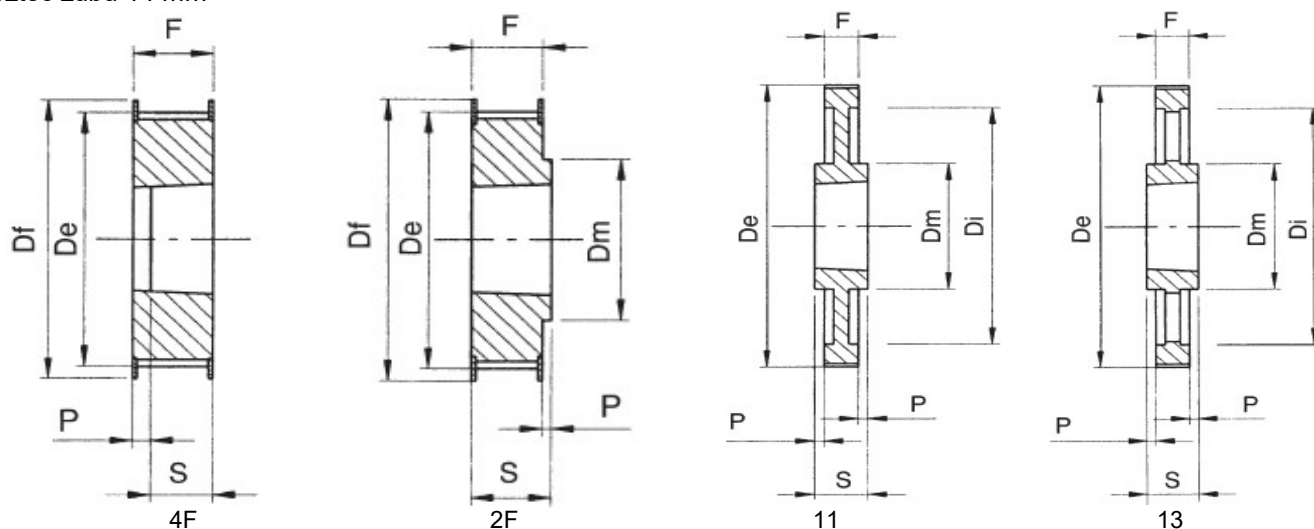
POLY CHAIN GT 8M-62

Označení řemenice	Počet zubů	Typ	Typ pouzdra	Dp (mm)	De (mm)	Df (mm)	Di (mm)	F (mm)	Dm (mm)	S (mm)	Materiál
<b>8M-30S-62</b>	<b>30</b>	1F	-	76,39	74,79	82,5	-	72	63	84	ocel
<b>8M-32S-62</b>	<b>32</b>	1F	-	81,49	79,89	87	-	72	68	84	
<b>8M-34S-62</b>	<b>34</b>	1F	-	86,58	84,98	91	-	72	69	84	
<b>8M-36S-62</b>	<b>36</b>	1F	-	91,67	90,07	97	-	72	76	84	
<b>8M-38S-62</b>	<b>38</b>	1F	-	96,77	95,17	102	-	72	78	84	
<b>TL 8M-40S-62</b>	<b>40</b>	4F	2012	101,86	100,26	106	-	72	-	32	
<b>TL 8M-45S-62</b>	<b>45</b>	4F	2012	114,59	112,99	120	-	72	-	32	
<b>TL 8M-48S-62</b>	<b>48</b>	4F	2517	122,23	120,63	128	-	72	-	45	
<b>TL 8M-50S-62</b>	<b>50</b>	4F	2517	127,32	125,72	135	-	72	-	45	
<b>TL 8M-56S-62</b>	<b>56</b>	7F	2517	142,60	141,00	150	111	72	-	45	
<b>TL 8M-60S-62</b>	<b>60</b>	7F	2517	152,79	151,19	158	121	72	-	45	
<b>TL 8M-64S-62</b>	<b>64</b>	7F	2517	162,97	161,37	168	131	72	-	45	
<b>TL 8M-75S-62</b>	<b>75</b>	6	3020	190,99	189,39	-	159	72	-	51	
<b>TL 8M-80S-62</b>	<b>80</b>	6	3020	203,72	202,12	-	172	72	-	51	
<b>TL 8M-90S-62</b>	<b>90</b>	6	3020	229,18	227,58	-	197	72	-	51	
<b>TL 8M-112S-62</b>	<b>112</b>	8	3020	285,21	283,61	-	253	72	198	51	litina
<b>TL 8M-140S-62</b>	<b>140</b>	8	3525	356,51	354,91	-	324	72	150	65	
<b>TL 8M-168S-62</b>	<b>168</b>	10	3525	427,81	426,21	-	396	72	198	65	
<b>TL 8M-192S-62</b>	<b>192</b>	10	3525	488,92	487,32	-	457	72	198	65	

## Ozubené řemenice

### Profil POLY CHAIN® GT® - Taper Lock®

rozteč zubů 14 mm



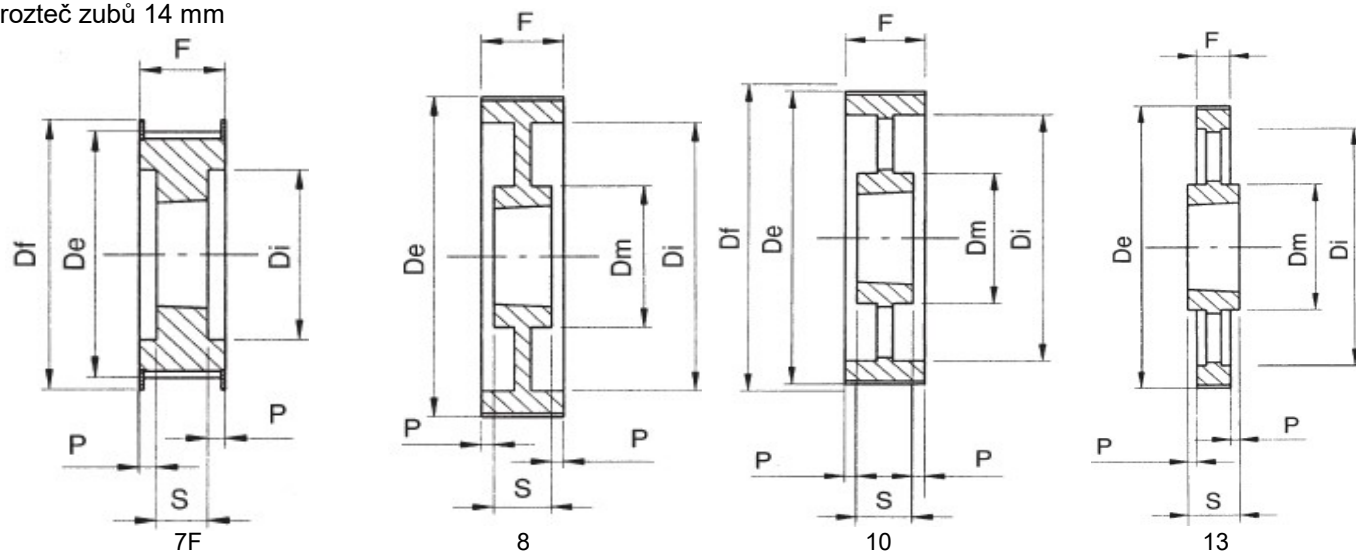
POLY CHAIN GT 14M-20

Označení řemenice	Počet zubů	Typ	Typ pouzdra	Dp (mm)	De (mm)	Df (mm)	Di (mm)	F (mm)	Dm (mm)	S (mm)	Materiál
<b>TL 14M-28S-20</b>	<b>28</b>	4F	2012	124,78	121,98	128	-	33	-	32	ocel
<b>TL 14M-30S-20</b>	<b>30</b>	4F	2012	133,69	130,89	138	-	33	-	32	
<b>TL 14M-32S-20</b>	<b>32</b>	4F	2012	142,60	139,80	154	-	33	-	32	
<b>TL 14M-34S-20</b>	<b>34</b>	2F	2517	151,52	148,72	160	-	33	117	45	
<b>TL 14M-36S-20</b>	<b>36</b>	2F	2517	160,43	157,63	168	-	33	117	45	
<b>TL 14M-38S-20</b>	<b>38</b>	2F	2517	169,34	166,54	183	-	33	117	45	
<b>TL 14M-40S-20</b>	<b>40</b>	2F	2517	178,25	175,45	188	-	33	117	45	
<b>TL 14M-44S-20</b>	<b>44</b>	2F	3020	196,08	193,28	211	-	33	144	51	
<b>TL 14M-48S-20</b>	<b>48</b>	2F	3020	213,90	211,11	226	-	33	144	51	
<b>TL 14M-50S-20</b>	<b>50</b>	2F	3020	222,82	220,02	240	-	33	144	51	
<b>TL 14M-56S-20</b>	<b>56</b>	12F	3020	249,55	246,76	256	207	33	144	51	
<b>TL 14M-60S-20</b>	<b>60</b>	11	3020	267,38	264,58	-	224	33	159	51	litina
<b>TL 14M-64S-20</b>	<b>64</b>	11	3020	285,21	282,41	-	242	33	159	51	
<b>TL 14M-72S-20</b>	<b>72</b>	11	3020	320,86	318,06	-	278	33	159	51	
<b>TL 14M-80S-20</b>	<b>80</b>	11	3020	356,51	353,71	-	314	33	159	51	
<b>TL 14M-90S-20</b>	<b>90</b>	13	3020	401,07	398,27	-	360	33	159	51	
<b>TL 14M-112S-20</b>	<b>112</b>	13	3020	499,11	496,31	-	456	33	159	51	
<b>TL 14M-140S-20</b>	<b>140</b>	13	3020	623,89	621,09	-	581	33	159	51	

## Ozubené řemenice

### Profil POLY CHAIN® GT® - Taper Lock®

rozteč zubů 14 mm



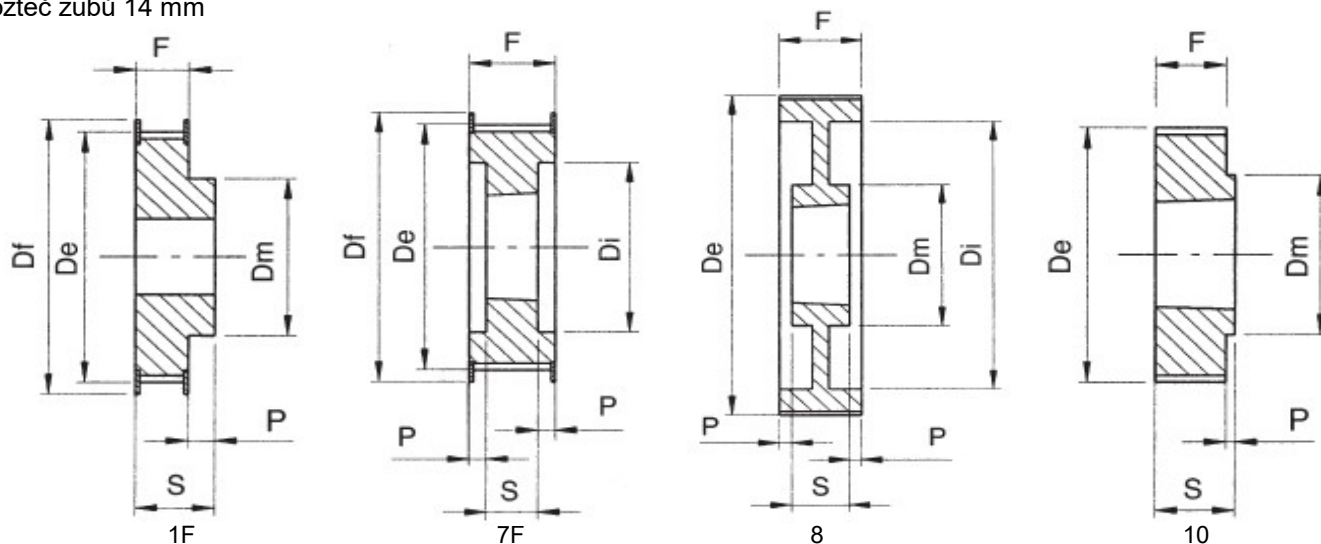
POLY CHAIN GT 14M-37

Označení řemenice	Počet zubů	Typ	Typ pouzdra	Dp (mm)	De (mm)	Df (mm)	Di (mm)	F (mm)	Dm (mm)	S (mm)	Materiál
<b>TL 14M-28S-37</b>	<b>28</b>	5F	2012	124,78	121,98	128	88	51	-	32	ocel
<b>TL 14M-30S-37</b>	<b>30</b>	7F	2517	133,69	130,89	138	98	51	-	45	
<b>TL 14M-32S-37</b>	<b>32</b>	7F	2517	142,60	139,80	154	100	51	-	45	
<b>TL 14M-34S-37</b>	<b>34</b>	7F	2517	151,52	148,72	160	109	51	-	45	
<b>TL 14M-36S-37</b>	<b>36</b>	5F	2517	160,43	157,63	168	117	51	-	45	
<b>TL 14M-38S-37</b>	<b>38</b>	5F	2517	169,34	166,54	183	126	51	-	45	
<b>TL 14M-40S-37</b>	<b>40</b>	5F	2517	178,25	175,45	188	135	51	-	45	
<b>TL 14M-44S-37</b>	<b>44</b>	4F	3020	196,08	193,28	211	-	51	-	51	
<b>TL 14M-48S-37</b>	<b>48</b>	4F	3020	213,90	211,11	226	-	51	-	51	
<b>TL 14M-50S-37</b>	<b>50</b>	4F	3020	222,82	220,02	240	-	51	-	51	
<b>TL 14M-56S-37</b>	<b>56</b>	9F	3020	249,55	246,76	256	207	51	144	51	
<b>TL 14M-60S-37</b>	<b>60</b>	8	3020	267,38	264,58	-	224	51	159	51	litina
<b>TL 14M-64S-37</b>	<b>64</b>	8	3020	285,21	282,41	-	242	51	159	51	
<b>TL 14M-72S-37</b>	<b>72</b>	8	3020	320,86	318,06	-	278	51	159	51	
<b>TL 14M-80S-37</b>	<b>80</b>	8	3020	356,51	353,71	-	314	51	159	51	
<b>TL 14M-90S-37</b>	<b>90</b>	10	3020	401,07	398,27	-	360	51	159	51	
<b>TL 14M-112S-37</b>	<b>112</b>	10	3020	499,11	496,31	-	456	51	159	51	
<b>TL 14M-140S-37</b>	<b>140</b>	13	3525	623,89	621,09	-	581	51	206	65	
<b>TL 14M-168S-37</b>	<b>168</b>	13	3525	748,66	745,87	-	706	51	206	65	
<b>TL 14M-192S-37</b>	<b>192</b>	13	4030	855,61	852,82	-	812	51	215	73	

## Ozubené řemenice

### Profil POLY CHAIN® GT® - Taper Lock®

rozteč zubů 14 mm

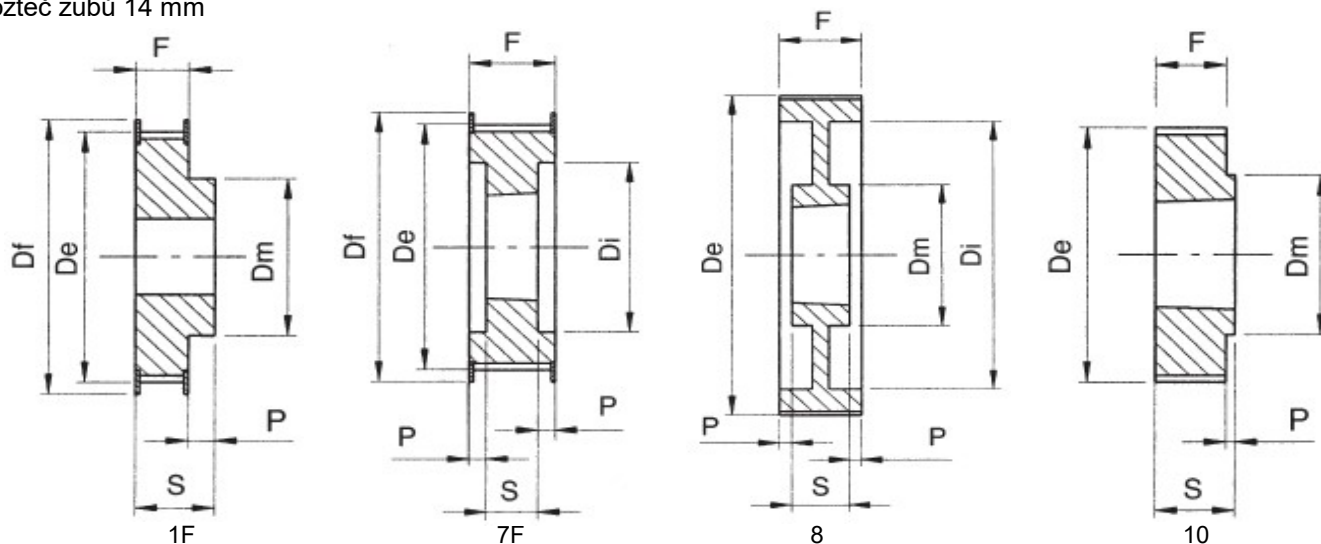

**POLY CHAIN GT 14M-68**

Označení řemenice	Počet zubů	Typ	Typ pouzdra	Dp (mm)	De (mm)	Df (mm)	Di (mm)	F (mm)	Dm (mm)	S (mm)	Material
<b>14M-34S-68</b>	<b>34</b>	1F	-	151,52	148,72	160	-	84	132	104	ocel
<b>14M-36S-68</b>	<b>36</b>	1F	-	160,43	157,63	168	-	84	131	104	
<b>14M-38S-68</b>	<b>38</b>	1F	-	169,34	166,54	183	-	84	141	104	
<b>14M-40S-68</b>	<b>40</b>	1F	-	178,25	175,45	188	-	84	156	104	
<b>TL 14M-44S-68</b>	<b>44</b>	7F	3020	196,08	193,28	211	153	84	-	51	
<b>TL 14M-48S-68</b>	<b>48</b>	5F	3020	213,90	211,11	226	171	84	-	51	
<b>TL 14M-50S-68</b>	<b>50</b>	7F	3525	222,82	220,02	240	180	84	-	65	
<b>TL 14M-56S-68</b>	<b>56</b>	7F	3525	249,55	246,76	256	207	84	-	65	
<b>TL 14M-60S-68</b>	<b>60</b>	6	3525	267,38	264,58	-	224	84	-	65	
<b>TL 14M-64S-68</b>	<b>64</b>	6	3525	285,21	282,41	-	242	84	-	65	
<b>TL 14M-72S-68</b>	<b>72</b>	8	3525	320,86	318,06	-	278	84	178	65	litina
<b>TL 14M-80S-68</b>	<b>80</b>	8	3525	356,51	353,71	-	314	84	178	65	
<b>TL 14M-90S-68</b>	<b>90</b>	10	3525	401,07	398,27	-	360	84	178	65	
<b>TL 14M-112S-68</b>	<b>112</b>	10	3525	499,11	496,31	-	456	84	178	65	
<b>TL 14M-140S-68</b>	<b>140</b>	10	3525	623,89	621,09	-	581	84	206	65	
<b>TL 14M-168S-68</b>	<b>168</b>	10	3525	748,66	745,87	-	706	84	206	65	
<b>TL 14M-192S-68</b>	<b>192</b>	10	4030	855,61	852,82	-	812	84	215	76	

## Ozubené řemenice

### Profil POLY CHAIN® GT® - Taper Lock®

rozteč zubů 14 mm



POLY CHAIN GT 14M-90

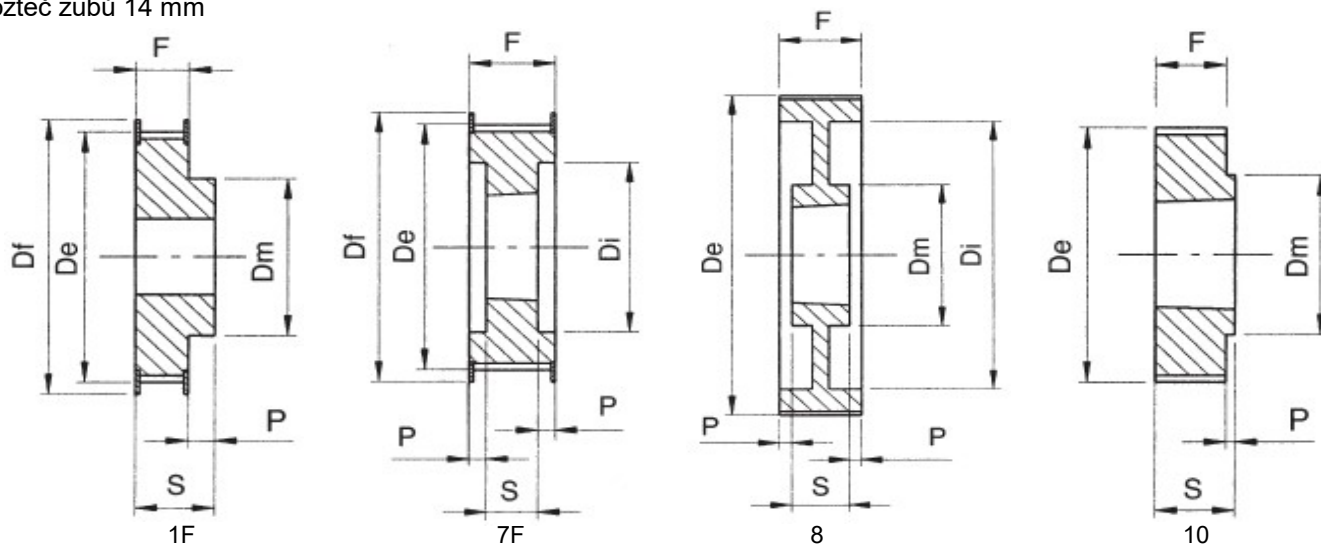
Označení řemenice	Počet zubů	Typ	Typ pouzdra	Dp (mm)	De (mm)	Df (mm)	Di (mm)	F (mm)	Dm (mm)	S (mm)	Material
<b>14M-36S-90</b>	<b>36</b>	1F	-	160,43	157,63	168	-	106	131	136	ocel
<b>14M-38S-90</b>	<b>38</b>	1F	-	169,34	166,54	183	-	106	141	136	
<b>14M-40S-90</b>	<b>40</b>	1F	-	178,25	175,45	188	-	106	156	136	
<b>14M-44S-90</b>	<b>44</b>	1F	-	196,08	193,28	211	-	106	169	136	
<b>TL 14M-48S-90</b>	<b>48</b>	7F	3525	213,90	211,11	226	171	106	-	66	
<b>TL 14M-50S-90</b>	<b>50</b>	7F	3525	222,82	220,02	240	180	106	-	66	
<b>TL 14M-56S-90</b>	<b>56</b>	7F	3525	249,55	246,76	256	207	106	-	66	
<b>TL 14M-60S-90</b>	<b>60</b>	6	3525	267,38	264,58	-	224	106	-	66	
<b>TL 14M-64S-90</b>	<b>64</b>	6	3525	285,21	282,41	-	242	106	-	66	litina
<b>TL 14M-72S-90</b>	<b>72</b>	8	3525	320,86	318,06	-	278	106	178	66	
<b>TL 14M-80S-90</b>	<b>80</b>	8	4030	356,51	353,71	-	314	106	215	76	
<b>TL 14M-90S-90</b>	<b>90</b>	8	4030	401,07	398,27	-	360	106	215	76	
<b>TL 14M-112S-90</b>	<b>112</b>	10	4535	499,11	496,31	-	456	106	215	90	
<b>TL 14M-140S-90</b>	<b>140</b>	10	4535	623,89	621,09	-	581	106	215	90	
<b>TL 14M-168S-90</b>	<b>168</b>	10	5040	748,66	745,87	-	706	106	267	102	
<b>TL 14M-192S-90</b>	<b>192</b>	10	5040	855,61	852,82	-	812	106	267	102	



## Ozubené řemenice

### Profil POLY CHAIN® GT® - Taper Lock®

rozteč zubů 14 mm



POLY CHAIN GT 14M-125

Označení řemenice	Počet zubů	Typ	Typ pouzdra	Dp (mm)	De (mm)	Df (mm)	Di (mm)	F (mm)	Dm (mm)	S (mm)	Materiál
<b>14M-38S-125</b>	<b>38</b>	1F	-	169,34	166,54	183	-	141	141	161	ocel
<b>14M-40S-125</b>	<b>40</b>	1F	-	178,25	175,45	188	-	141	156	161	
<b>14M-44S-125</b>	<b>44</b>	1F	-	196,08	193,28	211	-	141	169	161	
<b>14M-48S-125</b>	<b>48</b>	1F	-	213,90	211,11	226	-	141	185	161	
<b>TL 14M-50S-125</b>	<b>50</b>	7F	3525	222,82	220,02	240	180	141	-	65	
<b>TL 14M-56S-125</b>	<b>56</b>	7F	3525	249,55	246,76	256	207	141	-	65	
<b>TL 14M-60S-125</b>	<b>60</b>	6	4030	267,38	264,58	-	224	141	-	76	litina
<b>TL 14M-64S-125</b>	<b>64</b>	6	4030	285,21	282,41	-	242	141	-	76	
<b>TL 14M-72S-125</b>	<b>72</b>	8	4030	320,86	318,06	-	278	141	215	76	
<b>TL 14M-80S-125</b>	<b>80</b>	8	4030	356,51	353,71	-	314	141	215	76	
<b>TL 14M-90S-125</b>	<b>90</b>	8	4030	401,07	398,27	-	360	141	215	76	
<b>TL 14M-112S-125</b>	<b>112</b>	10	4535	499,11	496,31	-	456	141	215	89	
<b>TL 14M-140S-125</b>	<b>140</b>	10	4535	623,89	621,09	-	581	141	215	89	
<b>TL 14M-168S-125</b>	<b>168</b>	10	5040	748,66	745,87	-	706	141	267	102	
<b>TL 14M-192S-125</b>	<b>192</b>	10	5040	855,61	852,82	-	802	141	267	102	